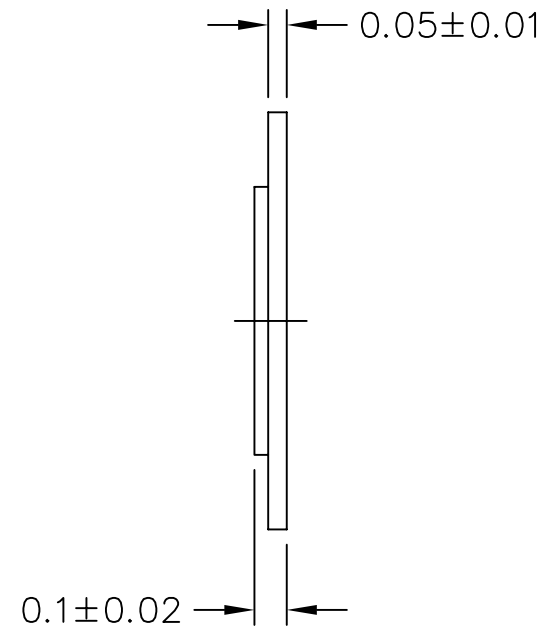
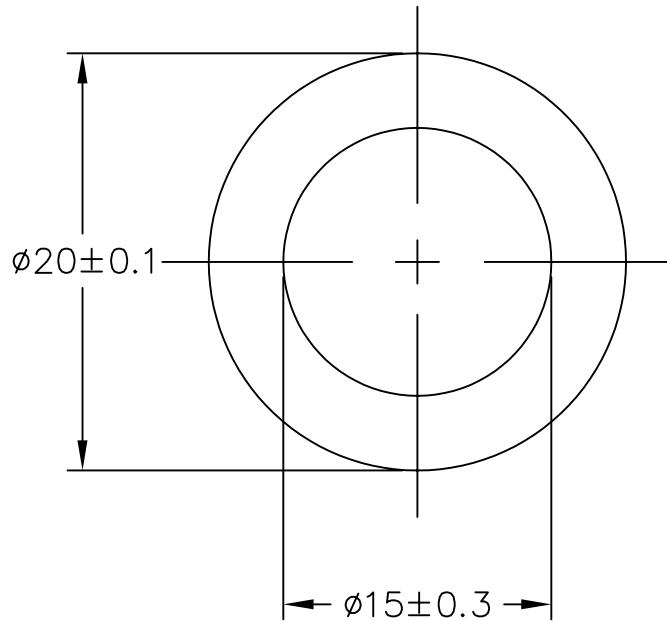


THIS DOCUMENT CONTAINS DATA PROPRIETARY TO PROJECTS UNLIMITED, INC. ANY USE OR REPRODUCTION, IN ANY FORM, WITHOUT PRIOR WRITTEN PERMISSION OF PROJECTS UNLIMITED, INC. IS PROHIBITED.
© 2003, Projects Unlimited Inc.

SPECIFICATIONS

| PARAMETERS | VALUES | UNITS |
|--------------------------|------------|-------|
| RESONANT FREQUENCY | 2,500±300 | Hz |
| RESONANT IMPEDANCE (MAX) | 500 | Ohm |
| MAX INPUT VOLTAGE | 30 | Vp-p |
| CAPACITANCE @ 1KHz | 80,000±30% | pF |
| PLATE MATERIAL | BRASS | - |
| OPERATING TEMPERATURE | -20 ~ +60 | °C |
| STORAGE TEMPERATURE | -20 ~ +70 | °C |


| REVISIONS | | | |
|-----------|----------------------------------|----------|----------|
| LTR | DESCRIPTION | DATE | APPROVED |
| - | RELEASED FROM ENGINEERING | 11/29/01 | |
| A | REVISED TO NEW TEMPLATE | 9/4/03 | R.W. |
| B | REVISED SPECIFICATIONS | 1/9/04 | R.W. |
| C | REVISED DIMENSION SIZE AND STYLE | 01/17/06 | B.R. |



NOTES:

1. ALL DIMENSIONS ARE IN MILLIMETERS.
2. SPECIFICATION SUBJECT TO CHANGE OR WITHDRAWAL WITHOUT NOTICE.

FILE NAME
AB2025B.DWG

| | | | |
|---|-------|--|-------------------------------|
| UNLESS OTHERWISE SPECIFIED: DIMENSIONS ARE IN MILLIMETERS; TOLERANCES ARE ±0.5 AND ANGLES ARE ±3°. | |  projects® unlimited Dayton, Ohio | |
| APPROVALS | DATE | PIEZO CERAMIC BENDER DRAWING NO. AB2025B | |
| DRAWN <i>RABL</i> | 11/01 | | |
| APPROVED <i>S.J.</i> | 11/01 | | |
| DO NOT SCALE DRAWING | | SIZE A | SHEET 1 OF 1 SCALE: N.T.S. |